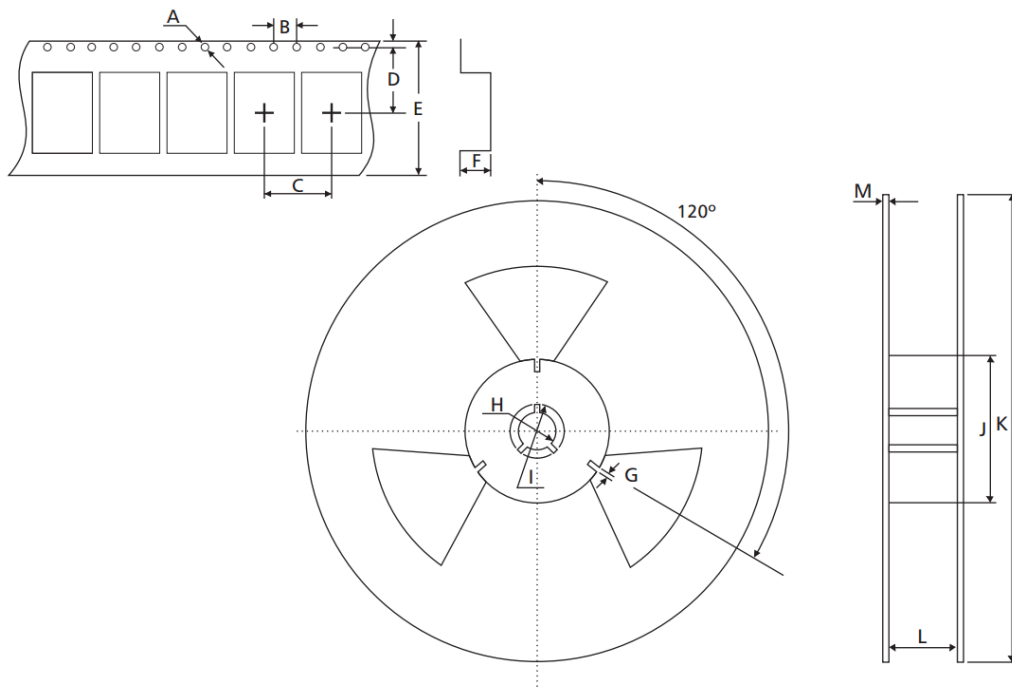


Tape and Reel Specifications for SMD SAW Filters



Tape Specifications

Type	A	B	C	D	E	F	Qty/Reel
SF22	1.5	4.0	4.0	3.5	8.0	1.0	1000

Reel Specifications

Type	G	H	I	J	K	L	M
SF22	2.5	13.5	21.6	60.0	180	9.0	1.6