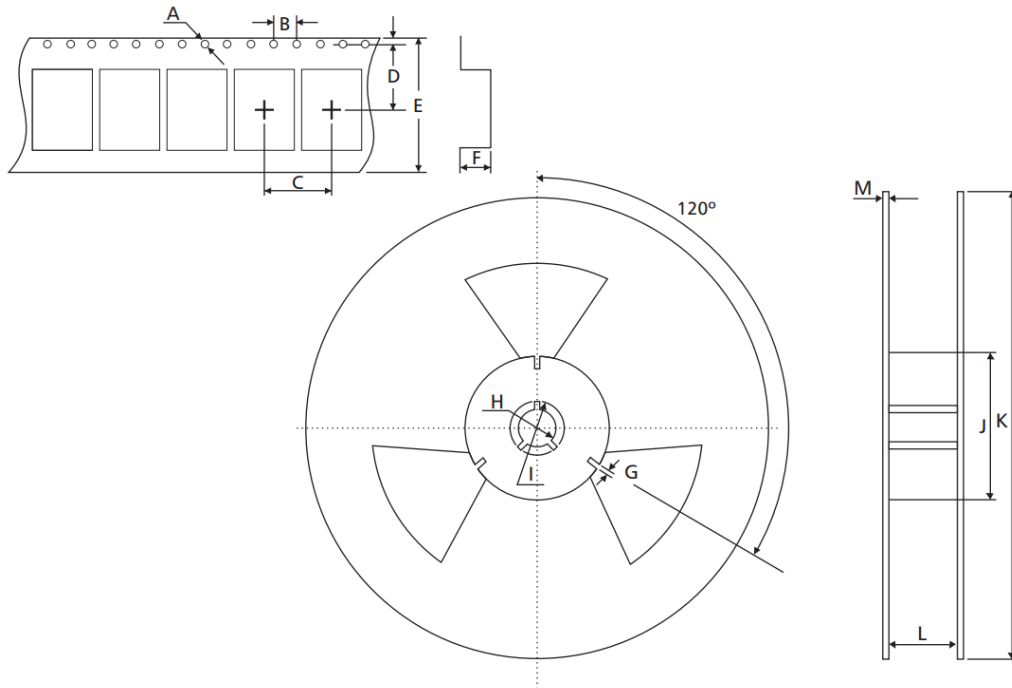


Tape and Reel Specifications for SMD Crystals



Tape Specifications

Type	A	B	C	D	E	F	Qty/Reel
HC-49/SM	1.50	4.0	12.0	11.5	24.0	4.35	1000
HC-49/SSM	1.50	4.0	8.0	7.8	16.0	2.65	1000
HC-49/SX3 and SX4	1.50	4.0	12.0	11.5	24.0	4.5	1000
HCX-2SB, 3SB	1.50	4.0	4.0	3.3	8.0	0.5	3000
S1610, S2012	1.50	4.0	4.0	3.3	8.0	0.5	3000
HCX-4SB	1.50	4.0	8.0	5.5	12.0	1.5	1000
HCX-5FA, 6FA, 6SB	1.50	4.0	8.0	5.5	12.0	1.5	1000
HCX-5SB	1.50	4.0	8.0	5.5	12.0	1.6	1000
HCX-7SB	1.50	4.0	8.0	5.5	16.0	2.0	1000
HCX-8FA	1.50	4.0	12.0	11.5	24.0	24.0	1000
S3215	1.5	4.0	4.0	5.5	12.0	1.0	3000
CM200S, MA-306	1.5	4.0	8.0	8.5	16.0	2.5	3000
S7015	1.5	4.0	4.0	7.5	16.0	1.2	3000

Reel Specifications

Type	G	H	I	J	K	L	M
HC-49/SM	2.5	13.5	21.6	99.5	330	25.5	2.3
HC-49/SSM	2.5	13.5	21.6	60.0	178	17.5	2.0
HC-49/SX3 and SX4	2.5	13.5	21.6	99.5	330	25.5	2.3
HCX-2SB, 3SB	2.5	13.5	21.6	60.0	178	9.0	1.4
S1610, S2012	2.5	13.5	21.6	60.0	178	9.0	1.1
HCX-4SB	2.5	13.5	21.6	60.0	178	13.5	1.6
HCX-5FA, 6FA, 6SB	2.5	13.5	21.6	60.0	178	13.5	1.6
HCX-5SB	2.5	13.5	21.6	60.0	178	13.5	1.6
HCX-7SB	2.5	13.5	21.6	60.0	178	17.5	1.6
HCX-8FA	2.5	13.5	21.6	99.5	330	25.5	2.3
S3215	2.5	13.5	21.6	60.0	178	13.5	1.4
CM200S, MA-306	2.5	13.5	21.6	99.5	330	16.0	2.0
S7015	discontinued	discontinued	discontinued	discontinued	discontinued	discontinued	discontinued