

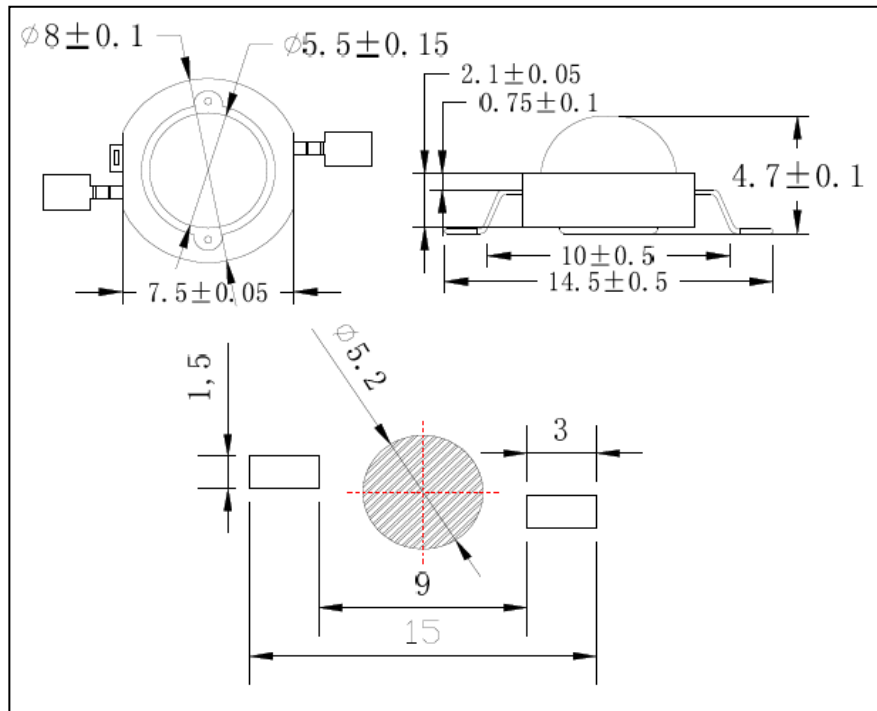
LEDs

LED GW08 SMD – White 1Watt

HL-9544

Package Configuration

Descriptions:
Emitting Color: White
Device Outline: Φ 8mm
Lens Type: Water Clear



Absolute Maximum Ratings ($T_a=25^\circ\text{C}$)

Parameter	Max.	Unit.
Peak Forward Current (1/10 Duty Cycle, 0.1ms Pulse Width)	800	mA
Continuous Forward Current	350	mA
Reverse Voltage	5.0	V
Operating Temperature Range	-40 °C to +85°C	
Storage Temperature Range	-40 °C to +100°C	
Lead Soldering Temperature[4mm(.157") From Body]	250°C for 5 Seconds	

Electrical and optical characteristics

Parameter	Symbol	Min.	Typ.	Max.	Unit.	Test Condition
Luminous Intensity	I_v	-	110	-	lumens	$I_f=350\text{mA}$
Viewing Angle	$2\theta_{1/2}$	-	140	-	deg.	
Color Temperature	-	-	6500	-	K	
Reverse Voltage	V_f	3.2	-	3.4	V	