

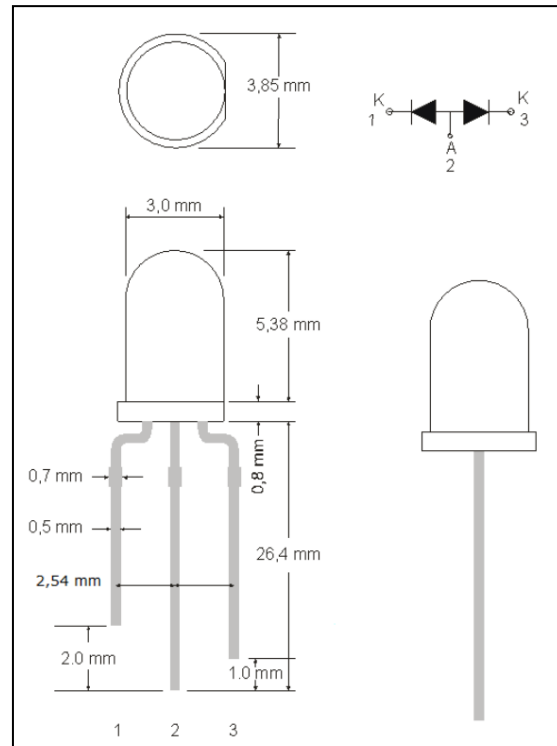
## LEDs

### 3mm Round Bicolor Green/Blue

HL-9472

#### Package Configuration

Descriptions:
Emitting Color: Green/Blue
Device Outline: $\Phi$ 3mm
Lens Type: White Diffused
Pins length: 25mm



#### Absolute Maximum Ratings (Ta=25°C)

Parameter	Max.	Unit.
Peak Forward Current (1/10 Duty Cycle, 0.1ms Pulse Width)	100	mA
Continuous Forward Current	20	mA
Reverse Voltage	5	V
Operating Temperature Range	-40 °C to +85°C	
Storage Temperature Range	-40 °C to +100°C	
Lead Soldering Temperature[4mm(.157") From Body]	250°C for 5 Seconds	

#### Electrical and optical characteristics

Parameter	Symbol	Typ.	Unit.	Test Condition
Luminous Intensity	$I_v$	Green = 100 / Blue = 100	mcd	$I_{F\_GREEN} = 20mA$ $I_{F\_BLUE} = 20mA$
Viewing Angle	$2\theta_{1/2}$	60	deg.	
Wavelength	$\Delta d$	Green = 525 / Blue = 460	nm	