

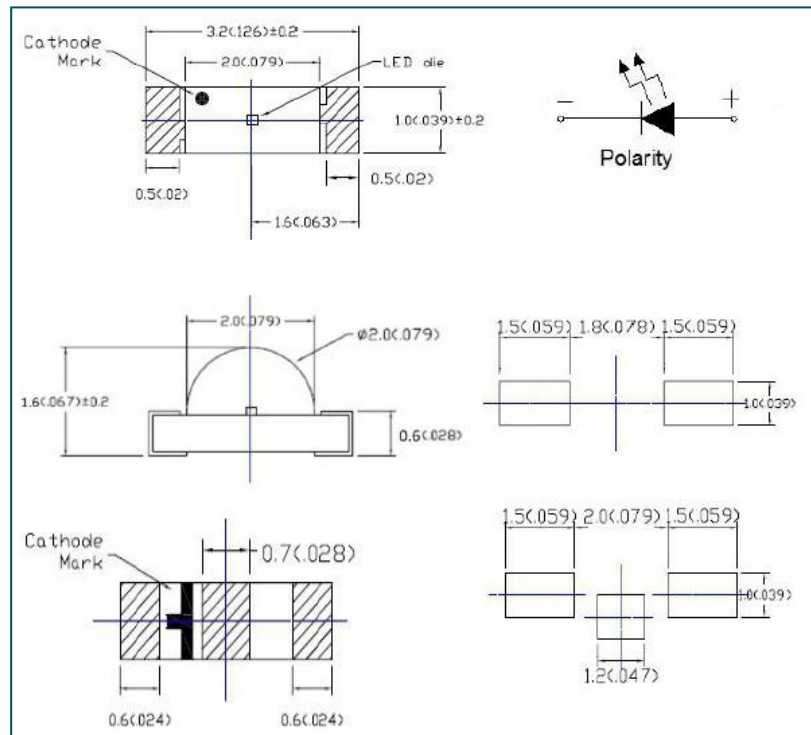
## LEDs

### 1204 SMD Type – Side View

HL-9430

### Package Configuration

Descriptions:
Emitting Color: Yellow
Device Outline: 3.2x1.0x1.6mm
Lens Type: Water Clear



### Absolute Maximum Ratings (Ta=25°C)

Parameter	Max.	Unit.
Peak Forward Current (1/10 Duty Cycle, 0.1ms Pulse Width)	100	mA
Continuous Forward Current	150	mA
Reverse Voltage	5	V
Operating Temperature Range	-40 °C to +85°C	
Storage Temperature Range	-40 °C to +100°C	
Lead Soldering Temperature[4mm(.157") From Body]	250°C for 5 Seconds	

### Electrical and optical characteristics

Parameter	Symbol	Min.	Typ.	Max.	Unit.	Test Condition
Luminous Intensity	$I_v$	-	120	-	mcd	$I_f=20\text{ mA}$
Viewing Angle	$2\theta_{1/2}$	-	130	-	deg.	
Dominant Wavelength	$\Delta d$	-	590	-	nm	