

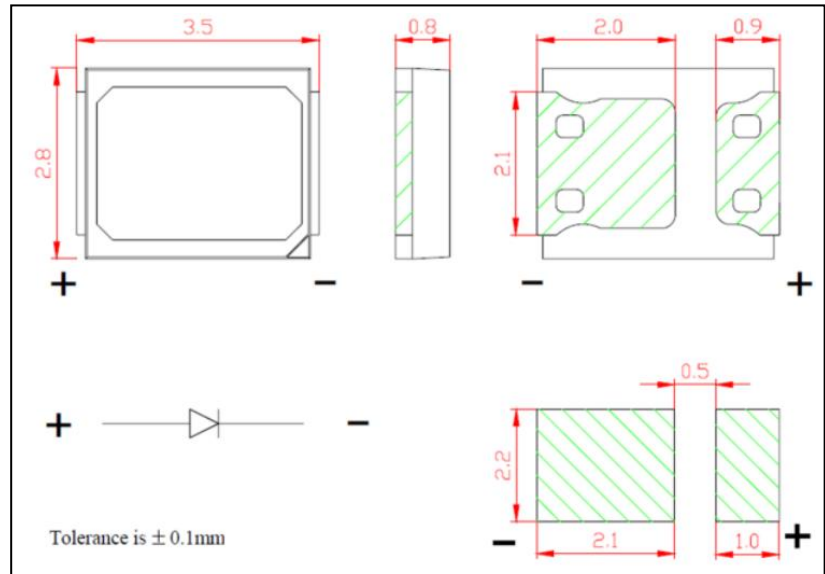
LEDs

2835 SMD Type

HL-9273

Package Configuration

| Descriptions: |
|-------------------------------|
| Emitting Color: White |
| Device Outline: 2.8x3.5x0.8mm |
| Lens Type: Yellow Diffused |



Absolute Maximum Ratings (Ta=25°C)

| Parameter | Max. | Unit. |
|---|---------------------|-------|
| Peak Forward Current (1/10 Duty Cycle, 0.1ms Pulse Width) | 1000 | mA |
| Continuous Forward Current | 150 | mA |
| Reverse Voltage | 5 | V |
| Operating Temperature Range | -40 °C to +85°C | |
| Storage Temperature Range | -40 °C to +100°C | |
| Lead Soldering Temperature[4mm(.157") From Body] | 250°C for 5 Seconds | |

Electrical and optical characteristics

| Parameter | Symbol | Min. | Typ. | Max. | Unit. | Test Condition |
|--------------------|-----------------|------|------|------|--------|---------------------|
| Luminous Intensity | I_v | 55 | - | 60 | lumens | $I_f=150\text{ mA}$ |
| Viewing Angle | $2\theta_{1/2}$ | - | 120 | - | deg. | |
| Color Temperature | - | - | 6500 | - | K | |