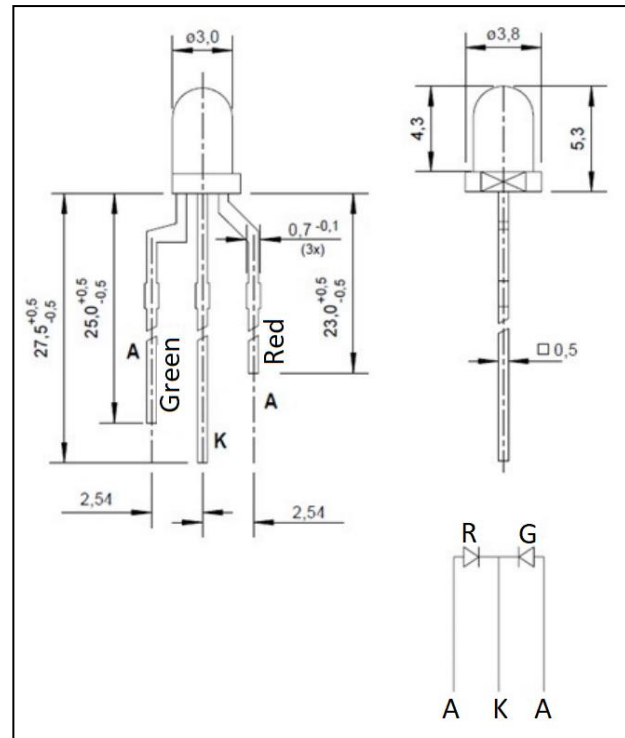


LEDs

3mm Round – Red/Green – Common Cathode HL-9212

Package Configuration

Descriptions:
Emitting Color: Red/Green
Device Outline: Φ 3mm round type
Lens Type: White Diffused



Absolute Maximum Ratings (Ta=25°C)

Parameter	Max.	Unit.
Peak Forward Current (1/10 Duty Cycle, 0.1ms Pulse Width)	100	mA
Continuous Forward Current	20	mA
Reverse Voltage	5	V
Operating Temperature Range	-40 °C to +85°C	
Storage Temperature Range	-40 °C to +100°C	
Lead Soldering Temperature [4mm (.157") From Body]	250°C for 5 Seconds	

Electrical and optical characteristics

Parameter	Symbol	Typ.	Unit.	Test Condition
Luminous Intensity	I_v	Red = 10 / Green = 15	mcd	$I_F=20mA$
Viewing Angle	$2\theta_{1/2}$	60	Deg.	
Wavelength	Δd	Red = 630 / Green = 570	nm	