

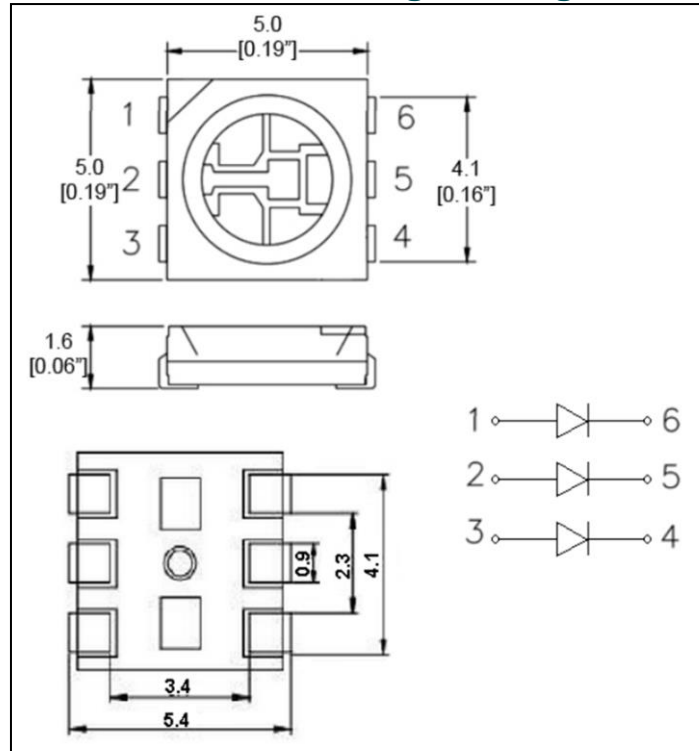
LEDs

5050 SMD – White

HL-9117

Package Configuration

Descriptions:
Emitting Color: White
Device Outline: 5.0x5.0x1.6mm
Lens Type: Yellow Diffused



Absolute Maximum Ratings ($T_a=25^{\circ}\text{C}$)

Parameter	Max.	Unit.
Peak Forward Current (1/10 Duty Cycle, 0.1ms Pulse Width)	200	mA
Continuous Forward Current	450 (3x150)	mA
Reverse Voltage	5	V
Storage/Operating Temperature Range	-40 °C to +85°C	
Power Dissipation	1.5W	
Lead Soldering Temperature[4mm(.157") From Body]	250°C for 5 Seconds	

Electrical and optical characteristics

Parameter	Symbol	Min.	Typ.	Max.	Unit.	Test Condition
Luminous Intensity	I_v	150	-	180	lumens	$I_F=450\text{mA}$ (3x150mA)
Viewing Angle	$2\theta_{1/2}$	-	120	-	deg.	
Color Temperature	-	-	4000	-	K	
Forward Voltage	V_F	2.6	-	3.4	V	