

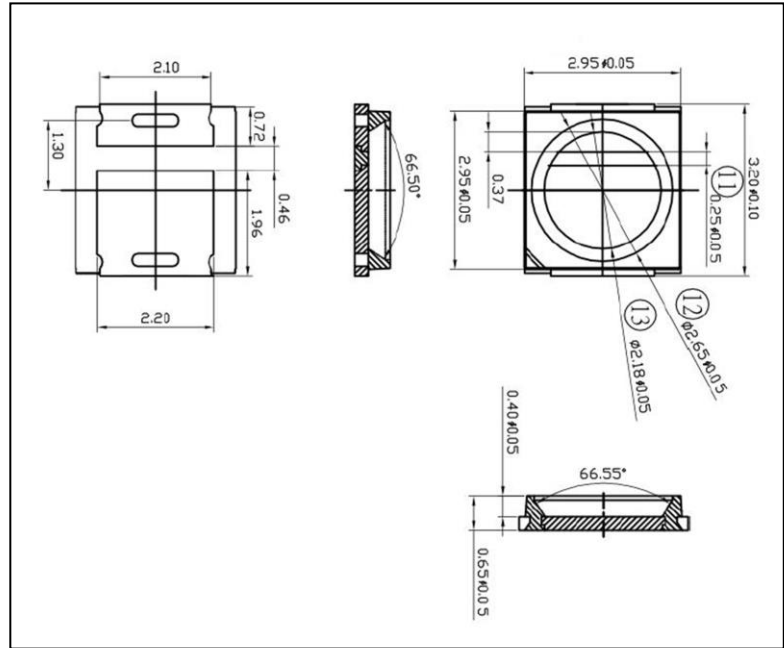
LEDs

3030 SMD – White

HL-9115

Package Configuration

Descriptions:
Emitting Color: White
Device Outline: 3.0x3.0x0.65mm
Lens Type: Yellow Diffused



Absolute Maximum Ratings (T_a=25°C)

Parameter	Max.	Unit.
Peak Forward Current (1/10 Duty Cycle, 0.1ms Pulse Width)	200	mA
Continuous Forward Current	150	mA
Reverse Voltage	5	V
Storage/Operating Temperature Range	-40 °C to +85°C	
Power Dissipation	1W	
Lead Soldering Temperature[4mm(.157") From Body]	250°C for 5 Seconds	

Electrical and optical characteristics

Parameter	Symbol	Min.	Typ.	Max.	Unit.	Test Condition
Luminous Intensity	I _v	95	-	100	lumens	I _F =150mA
Viewing Angle	2θ _{1/2}	-	120	-	deg.	
Color Temperature	-	-	5000	-	K	
Forward Voltage	V _F	2.8	-	3.6	V	