

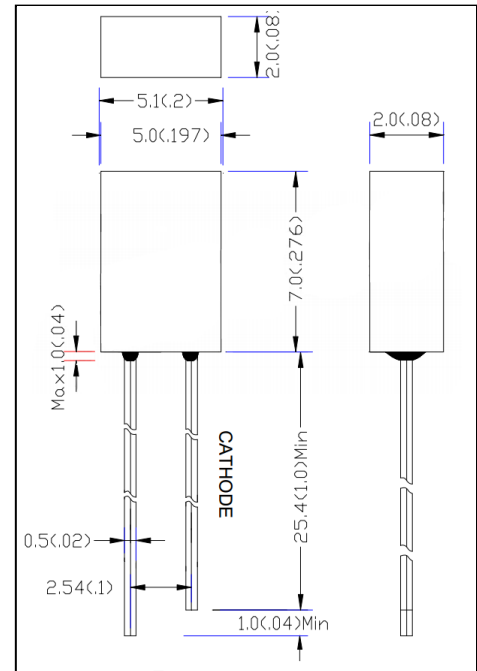
LEDs

2x5x7mm Square - Green

HL-8681

Package Configuration

Descriptions:
Material: AlGaInP
Emitting Color: Green
Device Outline: 2x5x7mm Square Type
Lens Type: Green Diffused



Absolute Maximum Ratings (Ta=25°C)

Parameter	Max.	Unit.
Peak Forward Current (1/10 Duty Cycle, 0.1ms Pulse Width)	100	mA
Continuous Forward Current	20	mA
Reverse Voltage	5	V
Operating Temperature Range	-40 °C to +85°C	
Storage Temperature Range	-40 °C to +100°C	
Lead Soldering Temperature[4mm(.157") From Body]	260°C for 5 Seconds	

Electrical and optical characteristics

Parameter	Symbol	Min.	Typ.	Max.	Unit.	Test Condition
Luminous Intensity	I_v	400	-	600	mcd	$I_f=20mA$
Viewing Angle	$2\theta_{1/2}$	-	30	-	Deg.	
Dominant Wavelength	Δd	-	570	-	nm	