

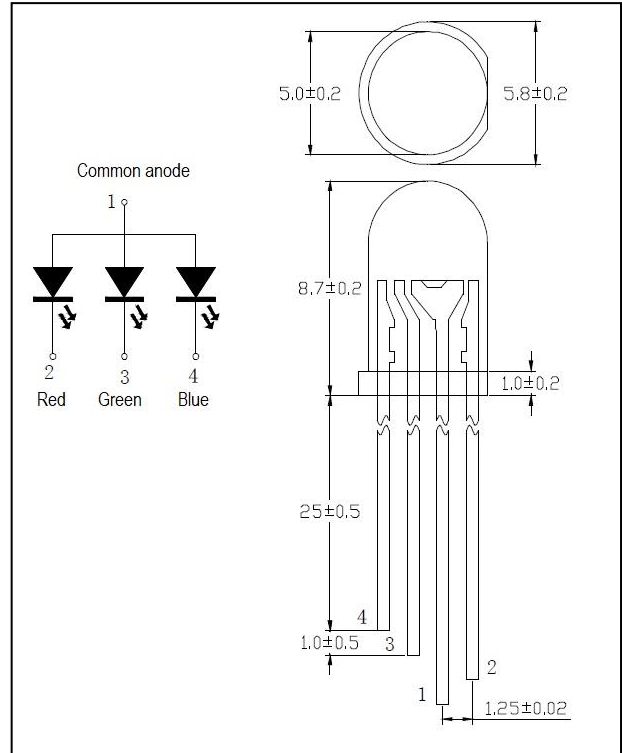
LEDs

5mm – RGB – Common Anode

HL-8560

Package Configuration

Descriptions:
Emitting Color: RGB
Device Outline: Φ 5mm round type
Lens Type: Water Clear



Absolute Maximum Ratings ($T_a=25^\circ\text{C}$)

Parameter	Max.	Unit.
Peak Forward Current (1/10 Duty Cycle, 0.1ms Pulse Width)	100	mA
Continuous Forward Current	(3x20)	mA
Reverse Voltage	5	V
Storage/Operating Temperature Range	-40 °C to +85°C	
Power Dissipation	R=45 / G=56 / B=60 (mW)	
Lead Soldering Temperature[4mm(.157") From Body]	250°C for 5 Seconds	

Electrical and optical characteristics

Parameter	Symbol	Typ.	Unit.	Test Condition
Luminous Intensity	I_v	R=4000 / G=6000 / B=3000	mcd	$I_F=60\text{mA}$ (3x20mA)
Viewing Angle	$2\theta_{1/2}$	30	deg.	
Dominant Wavelength	λ_d	R=625 / G=525 / B=470	nm	
Forward Voltage	V_F	R=2.0 / G=3.0 / B=3.2	V	