

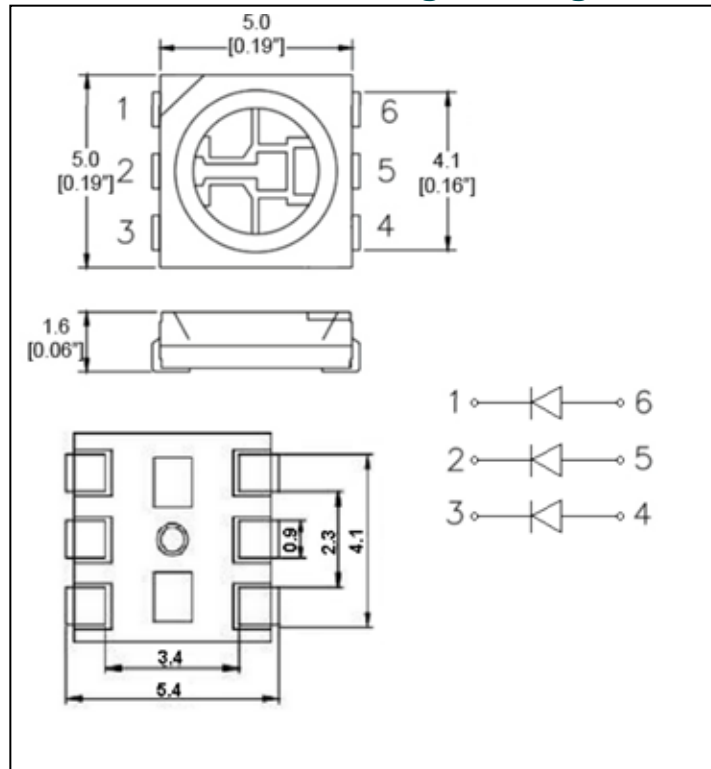
LEDs

5050 SMD – Green

HL-7937

Package Configuration

Descriptions:
Emitting Color: Green
Device Outline: 5.0x5.0x1.6mm
Lens Type: Water Clear



Absolute Maximum Ratings (T_a=25°C)

Parameter	Max.	Unit.
Peak Forward Current (1/10 Duty Cycle, 0.1ms Pulse Width)	100	mA
Continuous Forward Current	(3x20)	mA
Reverse Voltage	5	V
Storage/Operating Temperature Range	-40 °C to +85°C	
Power Dissipation	100mW	
Lead Soldering Temperature[4mm(.157") From Body]	250°C for 5 Seconds	

Electrical and optical characteristics

Parameter	Symbol	Min.	Typ.	Max.	Unit.	Test Condition
Luminous Intensity	I _v	2000	-	3000	mcd	I _F =60mA (3x20mA)
Viewing Angle	2θ _{1/2}	-	120	-	deg.	
Dominant Wavelength	-	515	-	530	nm	