

LEDs

5730 SMD – White Cold

HL-7933

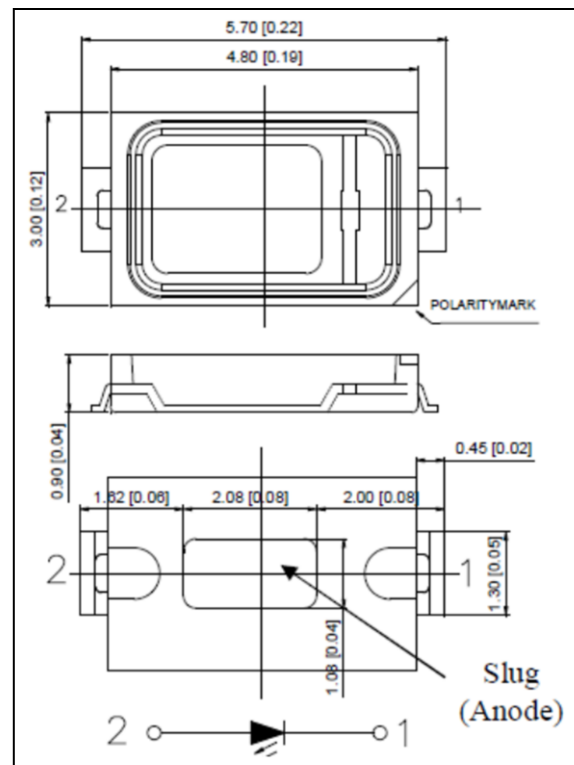
Descriptions:

Emitting Color: White

Device Outline: 5.7x3.0x0.9mm

Lens Type: Yellow Diffused

Package Configuration



Absolute Maximum Ratings ($T_a=25^\circ\text{C}$)

Parameter	Max.	Unit.
Peak Forward Current (1/10 Duty Cycle, 0.1ms Pulse Width)	500	mA
Continuous Forward Current	50	mA
Reverse Voltage	5	V
Storage/Operating Temperature Range	-40 °C to +85°C	
Lead Soldering Temperature[4mm(.157") From Body]	250°C for 5 Seconds	

Electrical and optical characteristics

Parameter	Symbol	Min.	Typ.	Max.	Unit.	Test Condition
Luminous Intensity	I_v	50	-	55	lumens	$I_F=50\text{mA}$
Viewing Angle	$2\theta_{1/2}$	-	120	-	deg.	
Color Temperature	-	6000	-	6500	K	
Forward Voltage	V_F	3.2	-	3.4	V	