

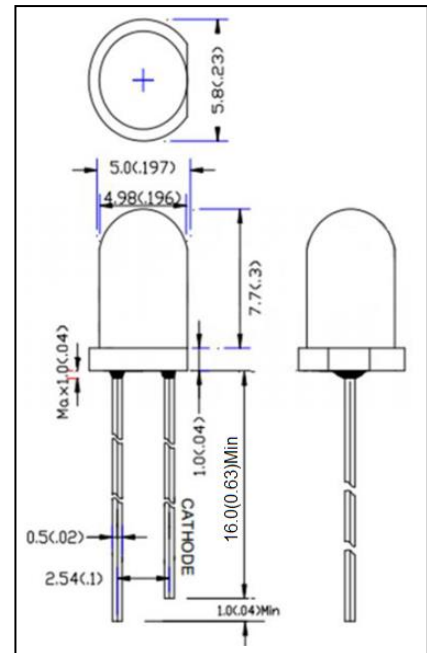
LEDs

5mm Round – Blue

HL-7889

Package Configuration

| Descriptions: |
|---------------------------------------|
| Emitting Color: Blue |
| Device Outline: Φ 5mm round type |
| Lens Type: Water Clear |



Absolute Maximum Ratings (Ta=25°C)

| Parameter | Max. | Unit. |
|---|---------------------|-------|
| Peak Forward Current (1/10 Duty Cycle, 0.1ms Pulse Width) | 100 | mA |
| Continuous Forward Current | 20 | mA |
| Reverse Voltage | 5 | V |
| Operating Temperature Range | -40 °C to +85°C | |
| Storage Temperature Range | -40 °C to +100°C | |
| Lead Soldering Temperature[4mm(.157") From Body] | 250°C for 5 Seconds | |

Electrical and optical characteristics

| Parameter | Symbol | Min. | Typ. | Max. | Unit. | Test Condition |
|---------------------|-----------------|------|------|------|-------|----------------|
| Luminous Intensity | I_v | 6000 | - | 8000 | mcd | $I_F=20mA$ |
| Viewing Angle | $2\theta_{1/2}$ | - | 15 | - | deg. | |
| Dominant Wavelength | Δd | 455 | - | 480 | nm | |