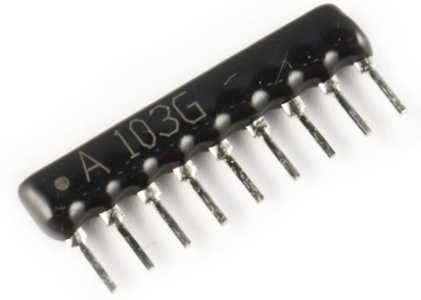




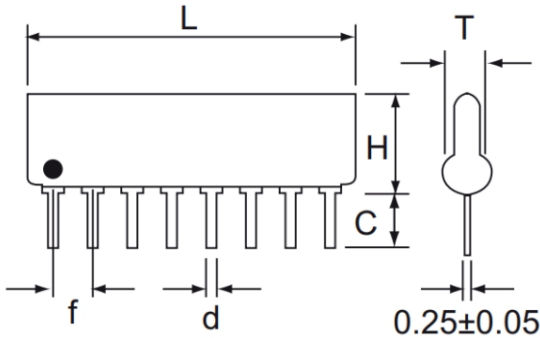
9 Pin Resistor Network

Features:

- High reability
- High density packaging
- Low cost

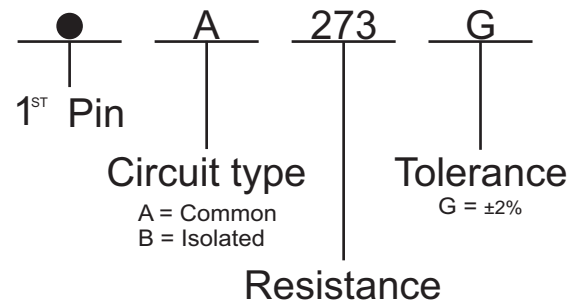


Dimensions (mm):



| | | | | | |
|----------|----------|----------|-------|-------|-------|
| H (max.) | H (max.) | T (max.) | C±2.5 | d±0.1 | f±0.2 |
| 22.9 | 5.08 | 2.5 | 3.2 | 0.5 | 2.54 |

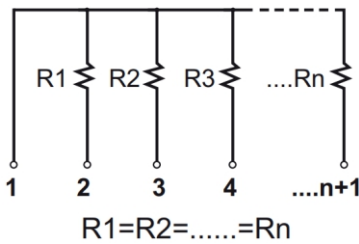
Marking (Single Value):



1st and 2nd digits are the resistance, 3rd indicates the number of zeros

e.g. A273G: Type A, 27KΩ, ±2%

Circuit diagram (Type A):



Resistances Available:

| Resistance | Type | Tolerance | Pins | Power Max.(W) | Marking Code | Part Number |
|------------|------|-----------|------|---------------|--------------|-------------|
| 10Ω | A | ±2% | 9 | 1/8 | A100G | RAA09100G |
| 220Ω | A | ±2% | 9 | 1/8 | A221G | RAA09221G |
| 27KΩ | A | ±2% | 9 | 1/8 | A273G | RAA09273G |
| 220KΩ | A | ±2% | 9 | 1/8 | A224G | RAA09224G |

| Type | Power rating at 70°C | Operating temperature range | Max. working voltage | Max. overload voltage | Dielectric withstanding voltage | Tolerance | Resistance range |
|----------------------|----------------------|-----------------------------|----------------------|-----------------------|---------------------------------|-----------|---------------------|
| Single Common Type A | 0.2W | -55°C ~ +125°C | 100V | 150V | 200V | ±2% | R-Type 10Ω ~ 1MΩ |